



LED CONSTANT VOLTAGE/CONSTANT CURRENT DRIVER



No dimmable

Product Features

- Multiple protections like short circuit& over-current &over-voltage protection.
- Load regulation < 2% Voltage regulation factor $\pm 1.0\%$
- High efficiency&long lifespan& 5 years warranty
- Power supplies with extra-low voltage class 2 outputs,IP20
Class 2 特低压电源, IP20
- Voltage accuracy be confind to $\pm 2.0\%$
- Dimming range 5%-100%
- Current accuracy be confined to $\pm 5.0\%$
- Working temp -30~ $\pm 50^{\circ}\text{C}$

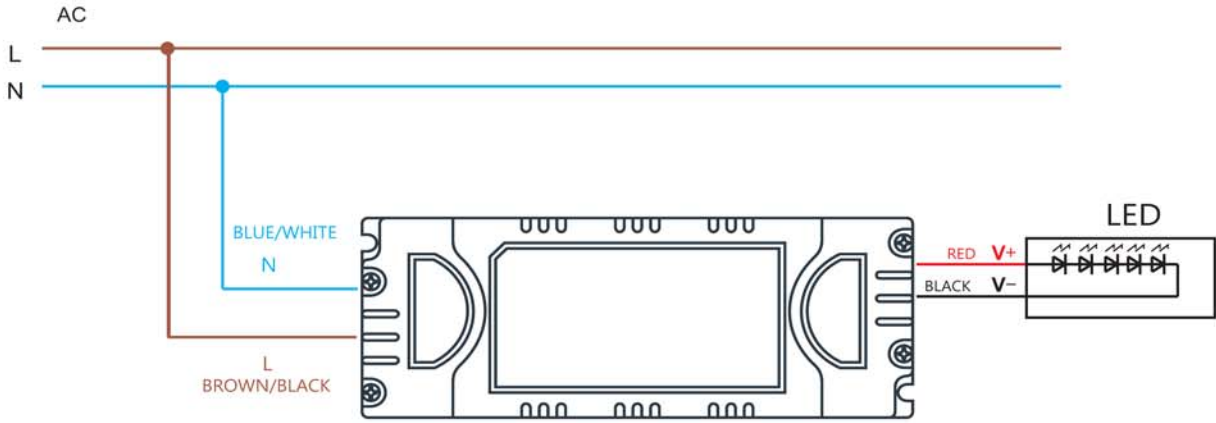


SELV



No Dimmable													
Input voltage :AC100&240V 50/60HZ													
Wattage 功率	Input current 输入电流		PF	THD 谐波	Constant voltage /输出恒压			Constant current /输出恒流			Recmnd quantity 推荐串 LED数量		
					Voltage/ 电压	Current/ 电流 (Max)	Efficiency/ 效率	Voltage/电压	current/电流 (Max)	Efficiency/ 效率			
						110V	220V			110V	220V		
12W	110V	0.15A Max	HPR >0.95	14.2%	12VDC	1A	84%	86%	9-14VDC	0.55A	84%	86%	3-4
				14.7%	18VDC	0.65A	84%	86%	15-21VDC	0.5A	84%	86%	5-6
	220V	0.09A Max		14.3%	24VDC	0.5A	85%	87%	21-28VDC	0.4A	85%	87%	7-8
				17.6%	36VDC	0.33A	85%	87%	29-42VDC	0.3A	85%	87%	9-12
				18.5%	48VDC	0.25A	86%	88%	42-56VDC	0.25A	86%	88%	13-17
20W	110V	0.24A Max		14.6%	12VDC	1.6A	85%	87%	9-14VDC	1.6A	85%	88%	3-4
				15.4%	18VDC	1.15A	85%	87%	15-21VDC	0.95A	85%	89%	5-6
	220V	0.15A Max		15.2%	24VDC	0.8A	86%	88%	21-28VDC	0.65A	86%	90%	7-8
				17.5%	36VDC	0.55A	87%	90%	29-42VDC	0.5A	87%	90%	9-12
				18.2%	48VDC	0.42A	87%	91%	42-56VDC	0.35A	87%	91%	13-17
30W	110V	0.35A Max	LPR >0.5	14.3%	12VDC	2.5A	86%	88%	9-14VDC	1.4A	86%	88%	3-4
				14.8%	18VDC	1.7A	87%	89%	15-21VDC	1.2A	87%	89%	5-6
	220V	0.2A Max		14.2%	24VDC	1.25A	87%	90%	21-28VDC	1A	87%	90%	7-8
				18.1%	36VDC	0.83A	88%	90%	29-42VDC	0.7A	88%	90%	9-12
				18.8%	48VDC	0.62A	88%	91%	42-56VDC	0.55A	88%	91%	13-17
40W	110V	0.27A Max		15.6%	12VDC	3.3A	86%	88%	9-14VDC	1.9A	86%	88%	3-4
				15.6%	18VDC	2.2A	87%	89%	15-21VDC	1.7A	87%	89%	5-6
	220V	0.47A Max		14.9%	24VDC	1.7A	88%	90%	21-28VDC	1.3A	88%	90%	7-8
				18.3%	36VDC	1.1A	88%	90%	29-42VDC	1A	88%	90%	9-12
				19.5%	48VDC	0.83A	88%	91%	42-56VDC	0.7A	88%	91%	13-17
60W	110V	0.7A Max	14.3%	12VDC	4.5A	87%	89%	9-14VDC	2.8A	87%	89%	3-4	
			15.8%	18VDC	3.3A	87%	90%	15-21VDC	2.5A	87%	90%	5-6	
	220V	0.4A Max	14.2%	24VDC	2.5A	88%	90%	21-28VDC	1.9A	88%	90%	7-8	
			18.3%	36VDC	1.7A	88%	91%	29-42VDC	1.5A	88%	91%	9-12	
			18.8%	48VDC	1.25A	88%	92%	42-56VDC	1.1A	88%	92%	13-17	
80W	110V	1A Max	13.5%	12VDC	6A	87%	89%	9-14VDC	3.8A	87%	89%	3-4	
			14.3%	18VDC	4.2A	88%	90%	15-21VDC	3.3A	88%	90%	5-6	
	220V	0.52A Max	15.6%	24VDC	3.3A	88%	90%	21-28VDC	2.5A	88%	90%	7-8	
			18.3%	36VDC	2.2A	89%	91%	29-42VDC	1.9A	89%	91%	9-12	
			18.6%	48VDC	1.6A	89%	92%	42-56VDC	1.5A	89%	92%	13-17	
100W	110V	1.2A Max	14.4%	12VDC	7A	87%	89%	9-14VDC	4.8A	87%	89%	3-4	
			15.3%	18VDC	5.5A	87%	90%	15-21VDC	4.2A	87%	90%	5-6	
	220V	0.65A Max	15.6%	24VDC	4.2A	88%	90%	21-28VDC	3.2A	88%	90%	7-8	
			17.5%	36VDC	2.8A	88%	91%	29-42VDC	2.4A	88%	91%	9-12	
			18.1%	48VDC	2.1A	89%	92%	42-56VDC	1.9A	89%	92%	13-17	

Connection diagram



Print sample/丝印模板

DR-CV-60-24 Class 2 Led Driver

● → Tc:80°C Ta:40°C No dimmable

ATTENTION:
RISQUES D'INCENDIE OU DE CHOC ELECTRIQUE.
POUR UTILISATION À L'INTERIEUR SEULEMENT.

CAUTION:
RISK OF ELECTRIC SHOCK, DRY LOCATION USE
ONLY OR DO NOT EXPOSE TO LIQUID, VAPOR, RAIN.

Certified to CSA 916.C22.2 No.223
Conforms to UL STD. 1310

SELV

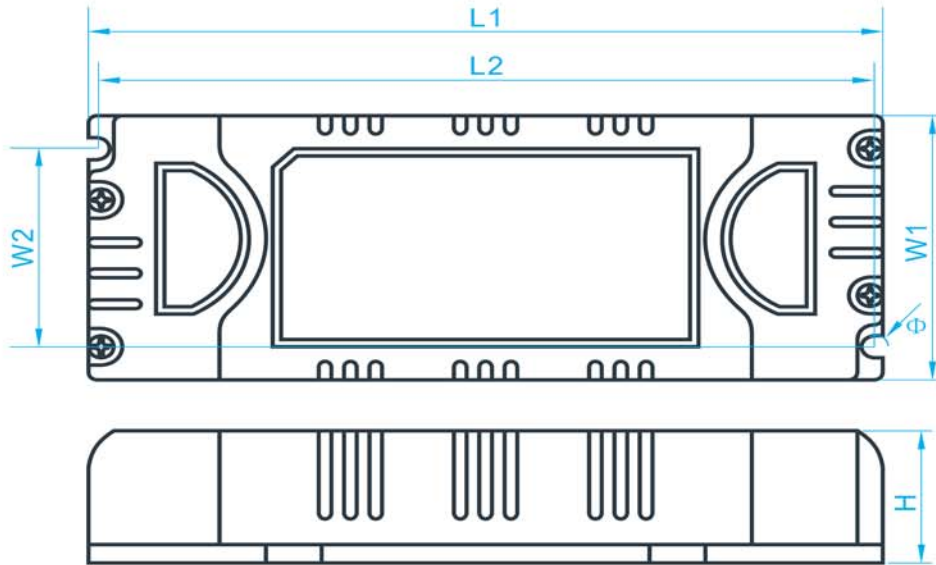
0.75-1mm² AC Input L N

Vin:100-130V Vout:24V
Iin:0.7A max Iout:2500mA
Freq:50/60Hz η > 85%
PF > 0.95

Intertek 4004489

V- V+ 0.75-1.5mm²

Shell structure



Units:mm	Length	Width	Height	Vertical spacing	Lateral spacing	Mounting aperture	Weight
Overall Size	L1	W1	H	L2	W2	Φ	g
12W	94	36	18	92	27	3	69
20W	94	36	18	92	27	3	69
30W	107	41	22	101	31	3	106
40W	133	46	24	127	36	3	140
60W	133	46	30	127	36	3	160
80W	170	50	30	164	42	3	250
100W	189	65	30	183	55	3	370